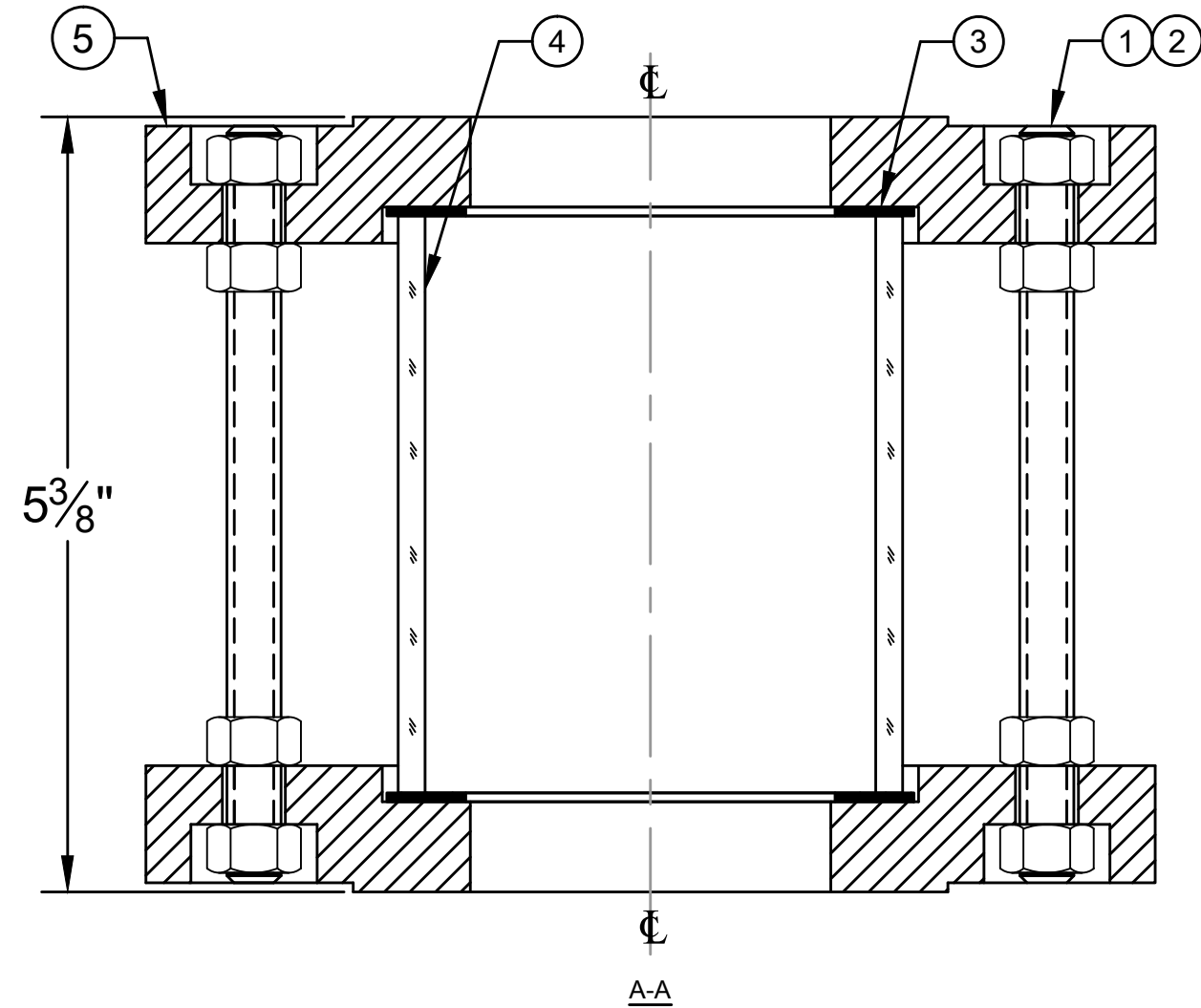
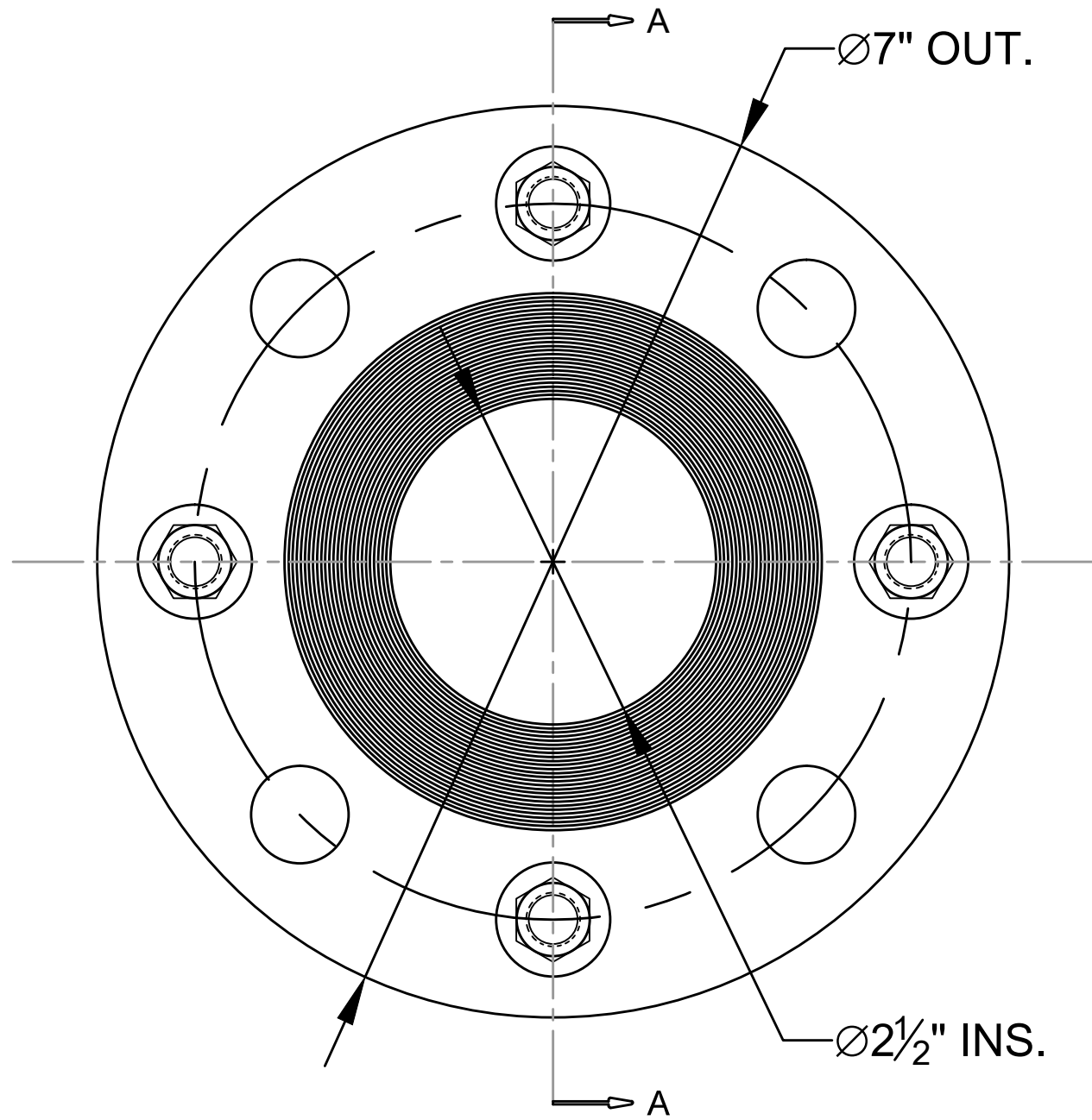


REVISION HISTORY				
ZONE	REV	DESCRIPTION	DATE	BY
-	00	ORIGINAL ISSUE	6/18/15	GCP



QTY	SYM	PART NUMBER	DESCRIPTION
1	5	XXXX-XXXX-XXXX	HEAD
1	4	XXXX-XXXX-XXXX	CYLINDER
1	3	XXXX-XXXX-XXXX	GASKET
16	2	XXXX-XXXX-XXXX	HEX NUT
4	1	XXXX-XXXX-XXXX	THREADED STUD

NOTES:
 MAX RATING: 85PSI/FV@100°F
 MAX TEMPERATURE: 500°F*

PAPAILIAS
 INCORPORATED
 245 PEGASUS AVE, NORTHVALE, NJ 07647 | [201]767-4027 WWW.PAPAILIAS.COM

MODEL: 2 1/2" LIF
 2 1/2" 150# FLGD CONNECTED FULL VIEW SIGHTFLOW INDICATOR

- Notes:
1. Flanged Ends Mate to 2 1/2" ANSI 150# B16.5 RF
 2. Perform ambient temperature hydrotest at 1.5 times operating pressure.
 3. All units supplied with a 304 Stainless Steel Tag. [Upon Request]
 4. Maximum Rating: 85PSIG/FV@100°F

ASME CODE CALCULATIONS AND ANY RESULTING ADDITIONAL MATERIAL NEEDED TO REINFORCE SIGHT GLASS OPENING TO MEET ASME CODE IS THE RESPONSIBILITY OF THE VESSEL MANUFACTURER.

THIS DRAWING IS THE SOLE PROPERTY OF THE J.G. PAPAILIAS COMPANY, INC AND NEITHER THE DOCUMENT NOR THE INFORMATION CONTAINED HEREIN SHALL BE COPIED, REPRODUCED, DISCLOSED OR TRANSFERRED EXCEPT AS AUTHORIZED IN WRITING BY AN OFFICER OF THE J.G. PAPAILIAS CO., INC.

DRAWN:		GCP	6/18/15	SIZE	CAGE CODE	DRAWING NUMBER	REV
CHECKED:		GCP	6/18/15	B	1Z740	03L040	0
APPROVED:		GCP	6/18/15	SCALE: 3/4	EST. WEIGHT: 15 LB [7 KG]	SHEET: 1 OF 1	